

COMFORT MIDI

Elementi

euROCRYOR
eptarefrigeration

PURO STILE ITALIANO



Product categories



Meat

Chicken

Delicatessen

Cheese

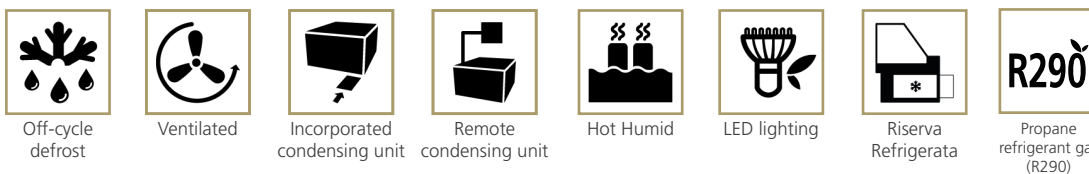
Dairy products

Gastronomy

Pizza

Bread

Technical features



Off-cycle defrost

Ventilated

Incorporated condensing unit

Remote condensing unit

Hot Humid

LED lighting

Riserva Refrigerata

Propane refrigerant gas (R290)

Accessories

- REFRIGERATED STORAGE CL
- REFRIGERATED STORAGE FL
- PASTRY DRAWER
- FRONT BASKET / BOTTLE DISPLAY RACK
- PLEXIGLASS CLOSURE ON RAIL
- LOW MOBILE DIVIDER
- ANTI-MIST FRONT BAFFLE
- HOOKSREAR SUPPORT*
- SHELF
- STEPPED DESK
- SLIDING MACHINE/SCALE HOLDER
- ROTATING PLATE
- BASKET RAIL WITH THREE TUBES
- PAPER HOLDER
- 360mm BACK-SHELF PAPER HOLDER
- DOUBLE PAPER HOLDER
- KNIVES HOLDER
- PAPER ROLL HOLDER
- SCALE HOLDER ON BRACKET
- PRICE TICKET STRIP
- ELECTRICAL SOCKETS
- POLYETHYLENE CUTTING BOARD
- NIGHT BLINDS
- FLOOR TUBULAR BUMPER RAIL
- BUMPER RAIL
- TUBULAR BUMPER RAIL ON CANOPY
- G-N PANS*
- FISH TANKS
- ICE-CREAM SCOOP CLEANER
- ICE-CREAM TRAYS

COMFORT MIDI

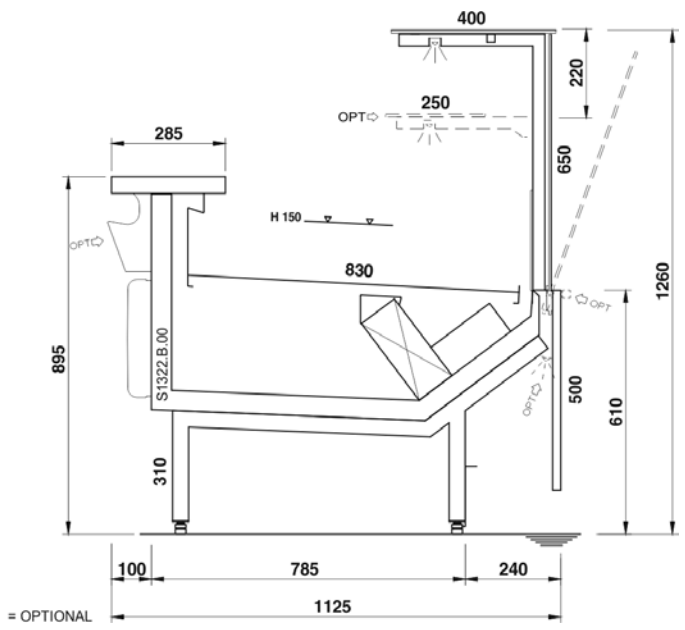
Elementi

PURO STILE ITALIANO

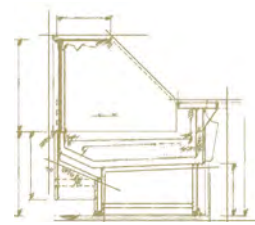
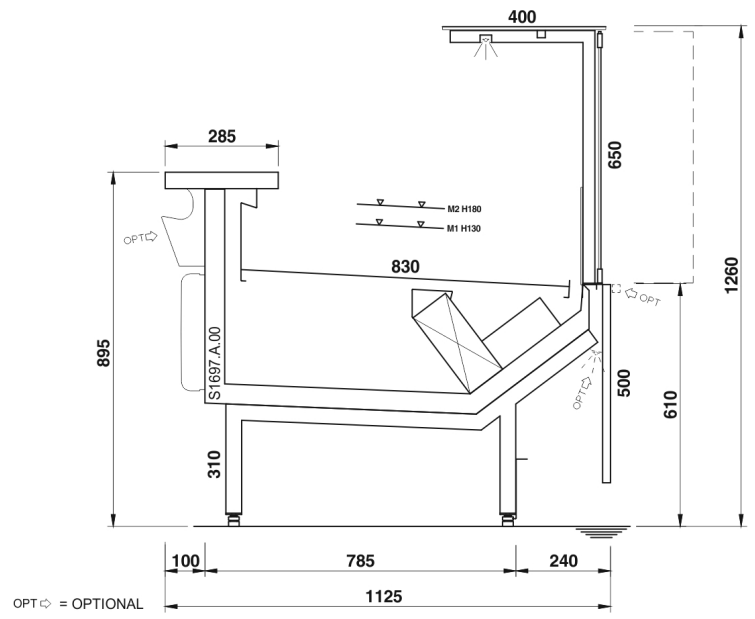
COMFORT MIDI												
Length - Lunghezza - Longueur Länge - Longitud mm	937	1250	1560	1875	2500	3125	3750	COR. 90° OPEN	COR. 90° CLOSED	COR. 45° OPEN	COR. 45° CLOSED	
RDB	•	•	•	•	•	•	•	•	•	•	•	
WO	•	•	•	•	•	•	•	•	•	•	•	
LS	•	•	•	•	•	•	•	•	•	•	•	
Display area Superficie di esposizione Warenpräsentationsfläche Surface d'exposition Superficie expositiva m2	RDB WO	0,83	1,10	1,38	1,66	2,21	2,77	3,31	1,46	1,62	0,73	0,81
	LS	0,85	1,14	1,42	1,71	2,28	2,85	3,42	1,53	1,69	0,76	0,84
Loading area Superficie di appoggio Nutzfläche Surface de chargement Superficie de apoyo m2	RDB WO	1,05	1,4	1,75	2,08	2,81	3,51	4,21	2,22	2,8	1,11	1,4
	LS											
End thickness Spessore spalla Stärke der Seitenwand Épaisseur de cheue joue Espesor lateral mm	40.00											

Cross Sections

Cold - RDB



Cold - WO



Fully customized solutions: design flexibility of shapes & sizes. Our team is at complete disposal for evaluating any different solutions in order to fulfill all your needs. Please write at sales@eurocryor.it

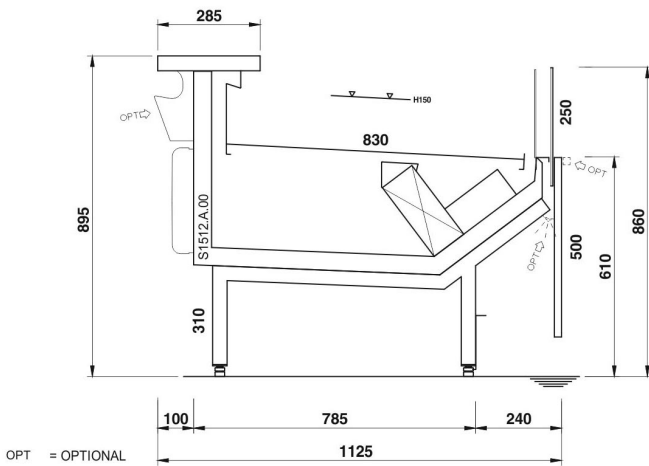
COMFORT MIDI

Elementi

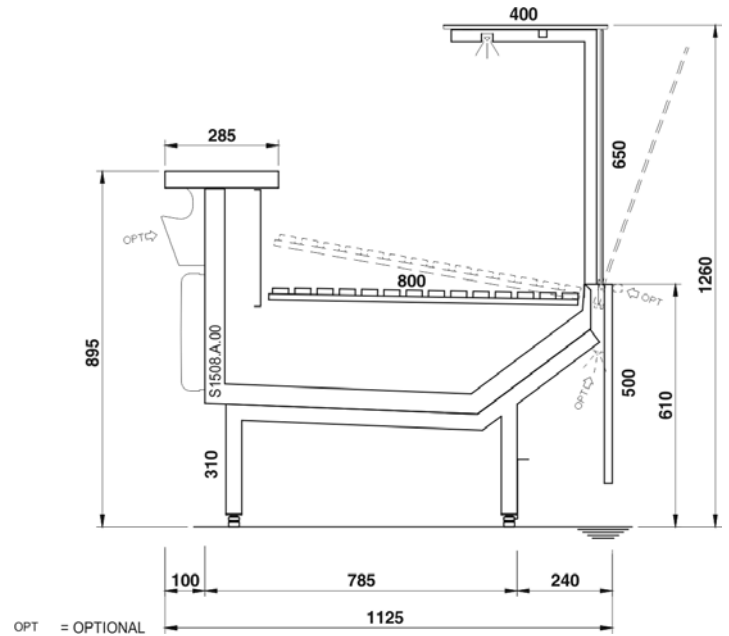
PURO STILE ITALIANO

Cross Sections

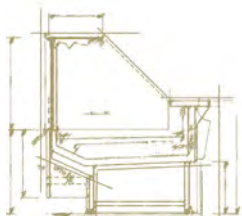
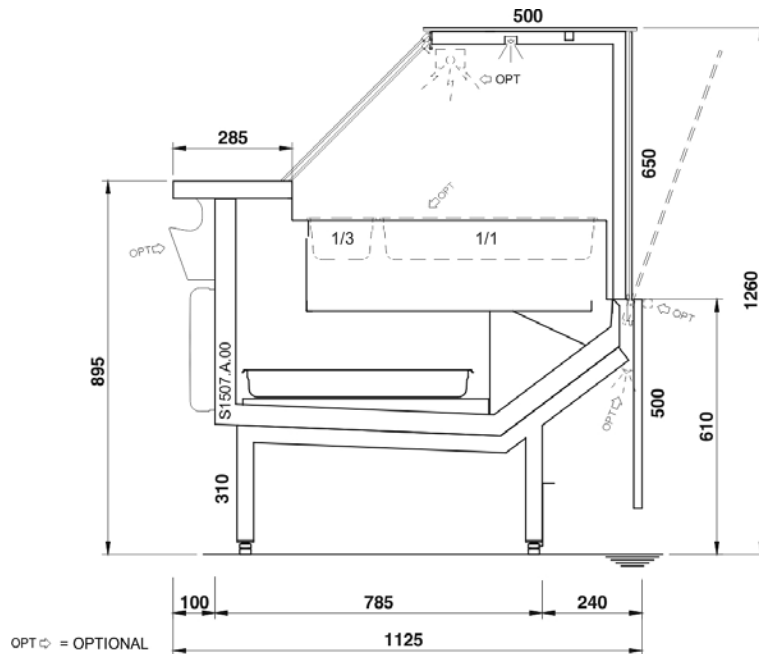
Cold - LS



Bread



Hot Humid



Fully customized solutions: design flexibility of shapes & sizes.
Our team is at complete disposal for evaluating any different solutions
in order to fulfill all your needs. Please write at sales@eurocryor.it