

KITE GASTRONOMY

Flexible Line

eurocryor
eptarefrigeration

PURO STILE ITALIANO



Product categories



Delicatessen

Cheese

Dairy products

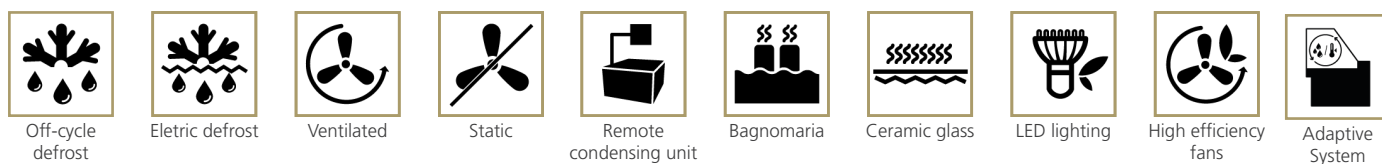
Gastronomy

Pizza

Bread

Fresh pasta

Technical features



Off-cycle defrost

Electric defrost

Ventilated

Static

Remote condensing unit

Bagnomaria

Ceramic glass

LED lighting

High efficiency fans

Adaptive System

Accessories

- REFRIGERATED STORAGE CL
- REFRIGERATED STORAGE FL
- PASTRY DRAWER
- FRONT BASKET / BOTTLE DISPLAY RACK
- PLEXIGLASS CLOSURE ON RAIL
- LOW MOBILE DIVIDER
- ANTI-MIST FRONT BAFFLE
- HOOKSREAR SUPPORT*
- SHELF
- STEPPED DESK
- SLIDING MACHINE/SCALE HOLDER
- ROTATING PLATE
- BASKET RAIL WITH THREE TUBES
- PAPER HOLDER
- 360mm BACK-SHELF PAPER HOLDER
- DOUBLE PAPER HOLDER
- KNIVES HOLDER
- PAPER ROLL HOLDER
- SCALE HOLDER ON BRACKET
- PRICE TICKET STRIP
- ELECTRICAL SOCKETS
- POLYETHYLENE CUTTING BOARD
- NIGHT BLINDS
- FLOOR TUBULAR BUMPER RAIL
- BUMPER RAIL
- TUBULAR BUMPER RAIL ON CANOPY
- G-N PANS*
- FISH TANKS
- ICE-CREAM SCOOP CLEANER
- ICE-CREAM TRAYS

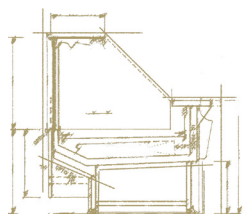
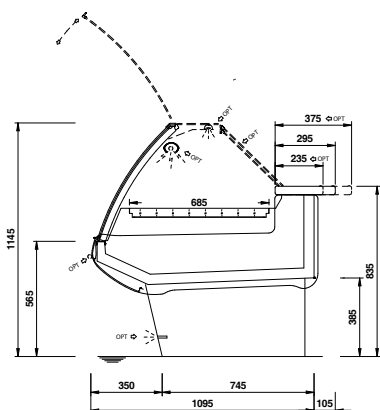
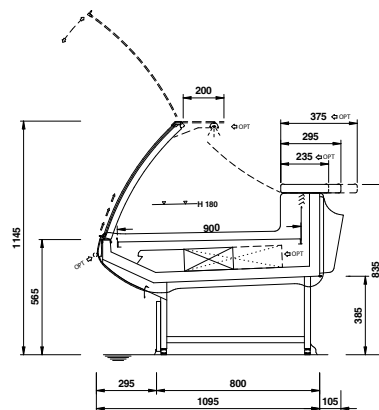
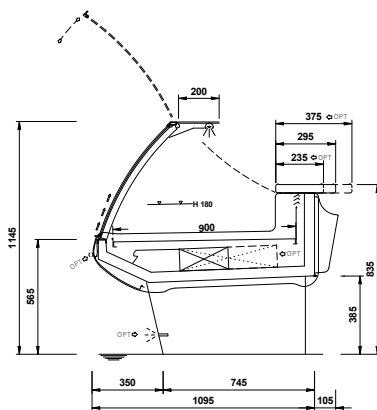
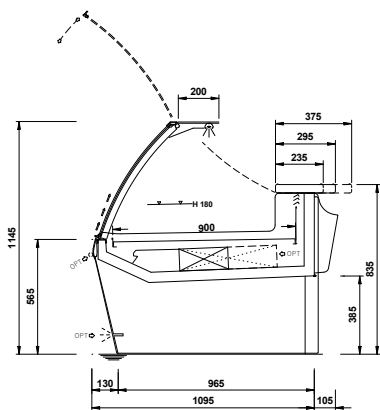
*supplied separately

KITE GASTRONOMY

Flexible Line

PURO STILE ITALIANO

Cross Sections



Fully customized solutions: design flexibility of shapes & sizes. Our team is at complete disposal for evaluating any different solutions in order to fulfill all your needs. Please write at sales@eurocryor.it