

# TWIN MINI

Ambienti

euROCRYOR  
eptarefrigeration

PURO STILE ITALIANO



## Product categories



Delicatessen

Dairy products

Pastries

Pre-packed fruit and vegetables

Fruit and Vegetables

Sandwiches

Drinks

## Technical features



Off-cycle defrost

Electric defrost

Ventilated

Remote condensing unit

LED lighting

High efficiency fans

## Accessories

- REFRIGERATED STORAGE CL
- REFRIGERATED STORAGE FL
- PASTRY DRAWER
- FRONT BASKET / BOTTLE DISPLAY RACK
- PLEXIGLASS CLOSURE ON RAIL
- LOW MOBILE DIVIDER
- ANTI-MIST FRONT BAFFLE
- HOOKSREAR SUPPORT\*
- SHELF
- STEPPED DESK
- SLIDING MACHINE/SCALE HOLDER
- ROTATING PLATE
- BASKET RAIL WITH THREE TUBES
- PAPER HOLDER
- 360mm BACK-SHELF PAPER HOLDER
- DOUBLE PAPER HOLDER
- KNIVES HOLDER
- PAPER ROLL HOLDER
- SCALE HOLDER ON BRACKET
- PRICE TICKET STRIP
- ELECTRICAL SOCKETS
- POLYETHYLENE CUTTING BOARD
- NIGHT BLINDS
- FLOOR TUBULAR BUMPER RAIL
- BUMPER RAIL
- TUBULAR BUMPER RAIL ON CANOPY
- G-N PANS\*
- FISH TANKS
- ICE-CREAM SCOOP CLEANER
- ICE-CREAM TRAYS

\*supplied separately

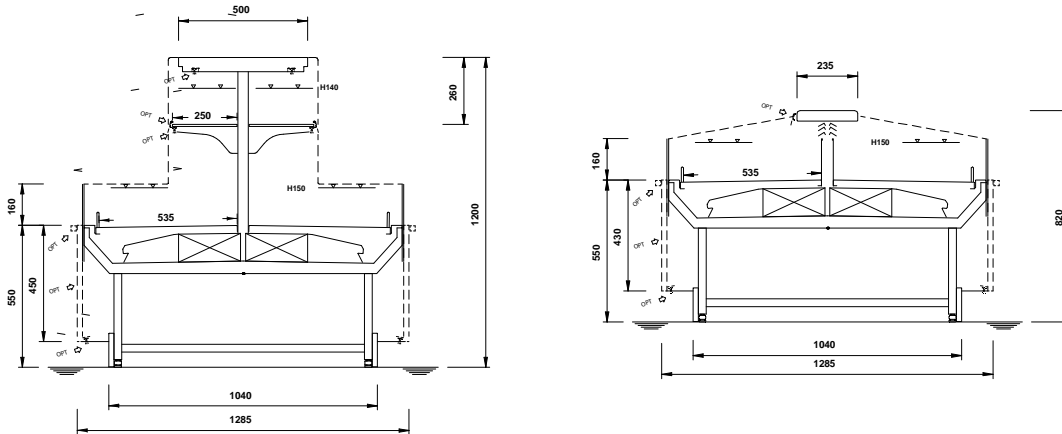
# TWIN MINI

Ambienti

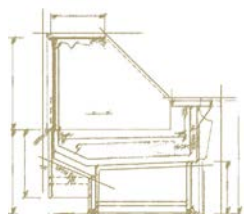
**eurocryor**  
eptarefrigeration

**PURO STILE ITALIANO**

## Cross Sections



TWIN MINI				
<b>Length</b> - Lunghezza - Longueur Länge - Longitud mm		<b>1250</b>	<b>1875</b>	<b>2500</b>
<b>SV</b>		•	•	•
<b>LS</b>		•	•	•
<b>Display area</b> Superficie di esposizione Warenpräsentationsfläche Surface d'exposition Superficie expositiva m2	<b>SV</b>	2,1	3,15	4,2
	<b>LS</b>	1,46	2,19	2,92
<b>Loading area</b> Superficie di appoggio Nutzfläche Surface de chargement Superficie de apoyo m2	<b>SV</b>	1,6	2,4	3.21
	<b>LS</b>			
<b>End thickness</b> Spessore spalla Stärke der Seitenwand Épaisseur de cheue joue Espesor lateral mm		40.00		



Fully customized solutions: design flexibility of shapes & sizes.  
Our team is at complete disposal for evaluating any different solutions  
in order to fulfill all your needs. Please write at [sales@eurocryor.it](mailto:sales@eurocryor.it)