

VISUALIS GASTRONOMY

Stili

euROCRYOR
eptarefrigeration

PURO STILE ITALIANO



Product categories



Delicatessen



Cheese



Dairy products



Gastronomy



Pizza



Bread



Fresh Pasta

Technical features



Off-cycle defrost



Natural defrost Plus



Ventilated



Remote condensing unit



LED lighting



High efficiency fans



Adaptive System

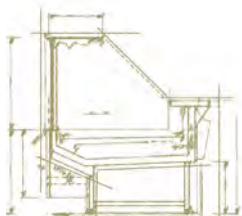
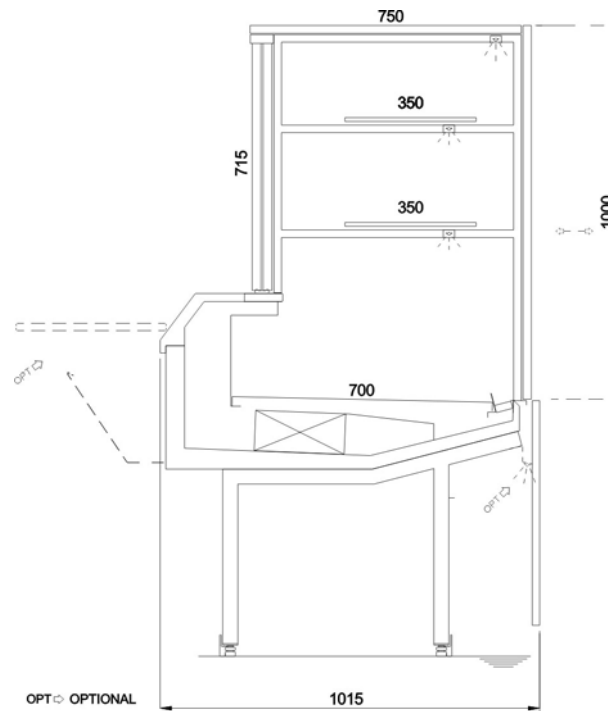
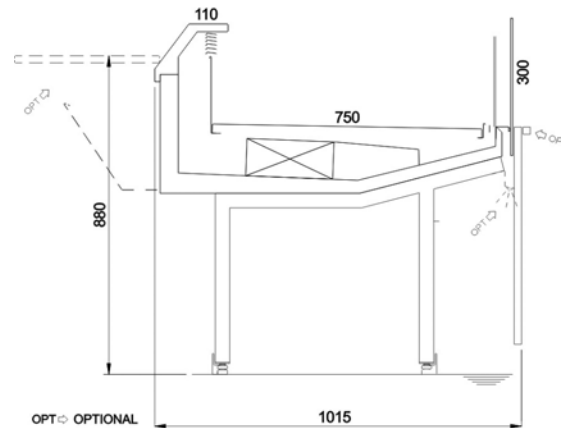
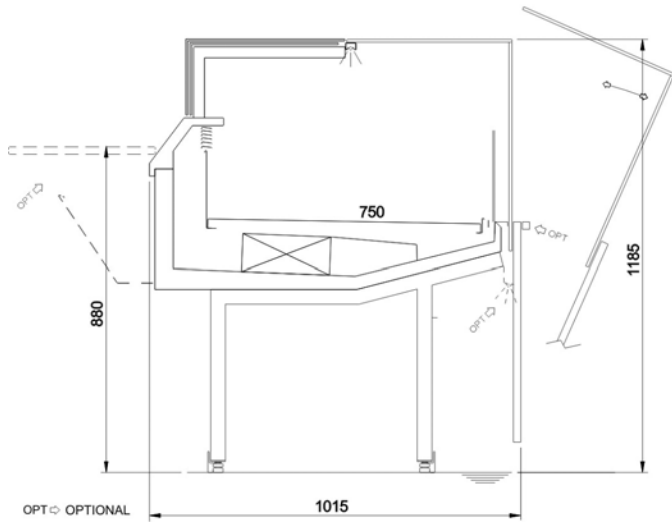


Accessories

- REFRIGERATED STORAGE CL
- REFRIGERATED STORAGE FL
- PASTRY DRAWER
- FRONT BASKET / BOTTLE DISPLAY RACK
- PLEXIGLASS CLOSURE ON RAIL
- LOW MOBILE DIVIDER
- ANTI-MIST FRONT BAFFLE
- HOOKSREAR SUPPORT*
- SHELF
- STEPPED DESK
- SLIDING MACHINE/SCALE HOLDER
- ROTATING PLATE
- BASKET RAIL WITH THREE TUBES
- PAPER HOLDER
- 360mm BACK-SHELF PAPER HOLDER
- DOUBLE PAPER HOLDER
- KNIVES HOLDER
- PAPER ROLL HOLDER
- SCALE HOLDER ON BRACKET
- PRICE TICKET STRIP
- ELECTRICAL SOCKETS
- POLYETHYLENE CUTTING BOARD
- NIGHT BLINDS
- FLOOR TUBULAR BUMPER RAIL
- BUMPER RAIL
- TUBULAR BUMPER RAIL ON CANOPY
- G-N PANS*
- FISH TANKS
- ICE-CREAM SCOOP CLEANER
- ICE-CREAM TRAYS

*supplied separately

Cross Sections



Fully customized solutions: design flexibility of shapes & sizes.
Our team is at complete disposal for evaluating any different solutions
in order to fulfill all your needs. Please write at sales@eurocryor.it