

Classic Line Twin Midi



PRODUCT CATEGORIES



TECHNICAL FEATURES





ACCESORIES



• Price ticket strip

• Night blinds

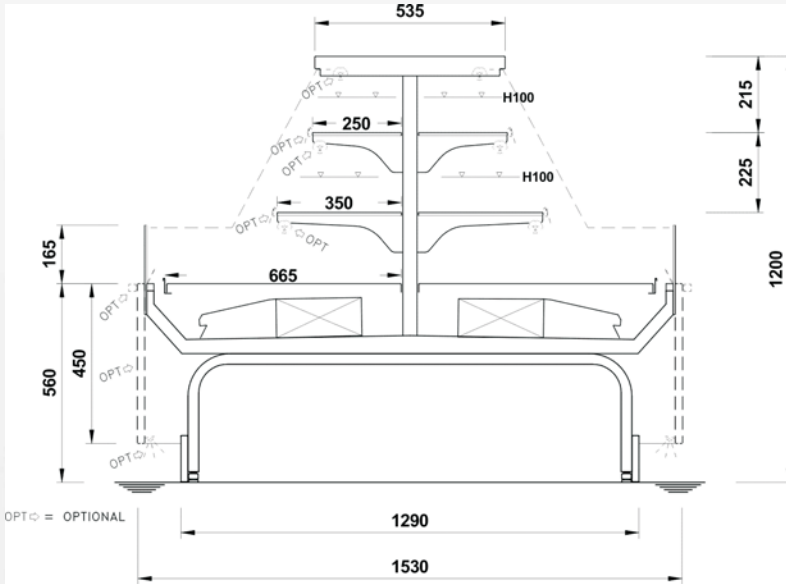
• Bumper rail

TECHNICAL INFORMATION

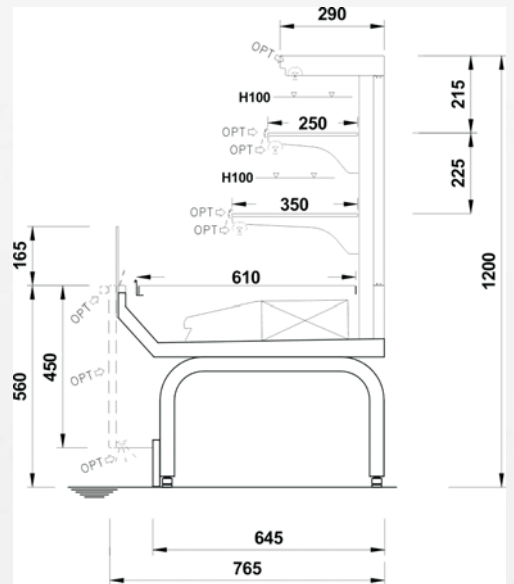


Refrigeration characteristics	1590W/m
Climate class	3 25°C 60% RH
Product temperature class	3 M2
Refrigeration type	Ventilated
Lengths	1250-1875-2500-3750-MT

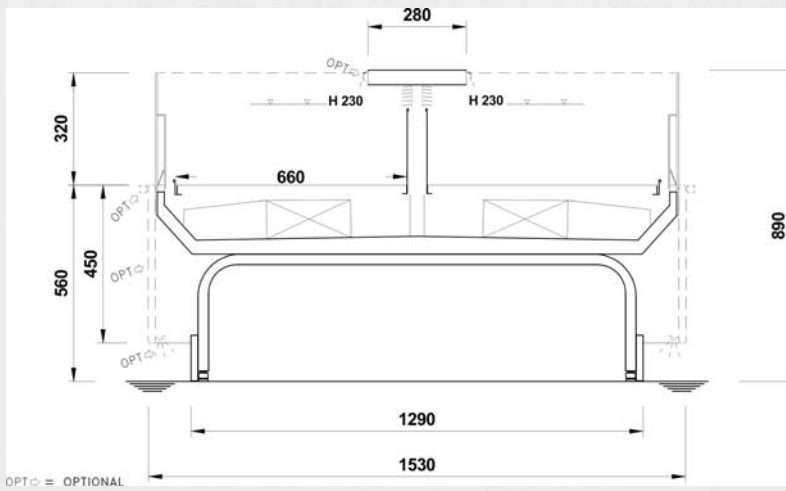
Twin Midi SV



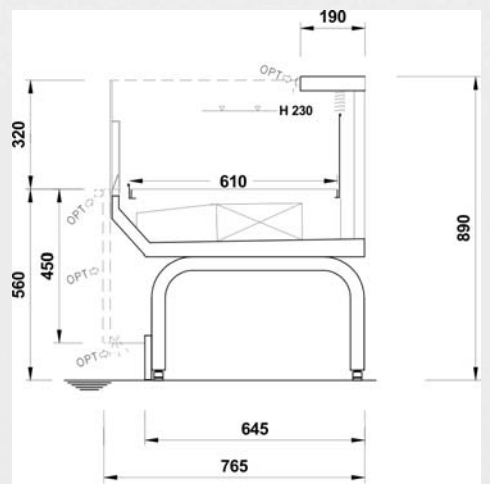
Twin Midi SV MT



Twin Midi LS



Twin Midi LS MT



LEGEND



Meat



Chicken



Fish



Pre-packed fish



Delicatessen



Cheese



Dairy products



Gastronomy



Pastries



Pre-packed fruit and vegetables



Fruit and Vegetables



Sandwiches



Drinks



Pizza



Chocolate



Bread



Frozen Food and Ice cream



Off-cycle defrost



Electric defrost



Hot-gas defrosting system



Manual defrost



Ventilated



Static



Incorporated condensing unit



Remote condensing unit



Bagno Maria



Ceramic glass



Ice



LED lighting