



## Product categories



Fruit and Vegetables



Gastronomy



Dairy products



Cheese



Sandwiches



Pizza

## Technical features



Off-cycle defrost



Ventilated



Remote condensing unit



LED lighting



Ceramic glass

## Accessories

- REFRIGERATED STORAGE CL
- REFRIGERATED STORAGE FL
- PASTRY DRAWER
- FRONT BASKET / BOTTLE DISPLAY RACK
- PLEXI PARTITION FOR DISPLAY DECK
- PLEXI PARTITION FOR SHELF
- ANTI-MIST FRONT BAFFLE
- HOOKSREAR SUPPORT\*
- SHELF
- STEPPED DESK
- SLIDING MACHINE/SCALE HOLDER
- ROTATING PLATE
- BASKET RAIL WITH THREE TUBES
- PAPER HOLDER
- 360mm BACK-SHELF PAPER HOLDER
- DOUBLE PAPER HOLDER
- KNIVES HOLDER
- PAPER ROLL HOLDER
- SCALE HOLDER ON BRACKET
- BASKET RAIL WITH TWO TUBES
- ELECTRICAL SOCKETS
- POLYETHYLENE CUTTING BOARD
- NIGHT BLINDS
- FLOOR TUBULAR BUMPER RAIL
- SQUARED BUMPER RAIL
- TUBULAR BUMPER RAIL ON CANOPY
- G-N PANS\*
- FISH TANKS
- ICE-CREAM SCOOP CLEANER
- ICE-CREAM TRAYS

\*supplied separately

# CORNICE

Ambienti

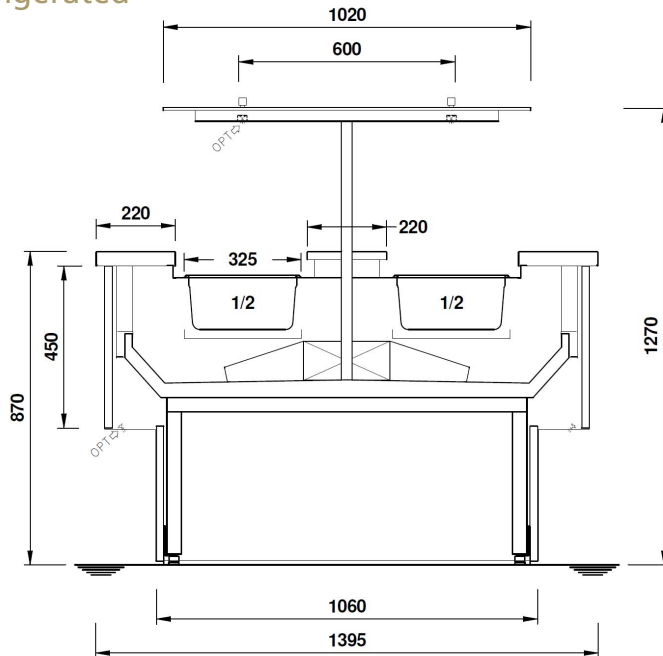
## Cross Sections

euROCRYOR

eptarefrigeration

PURO STILE ITALIANO

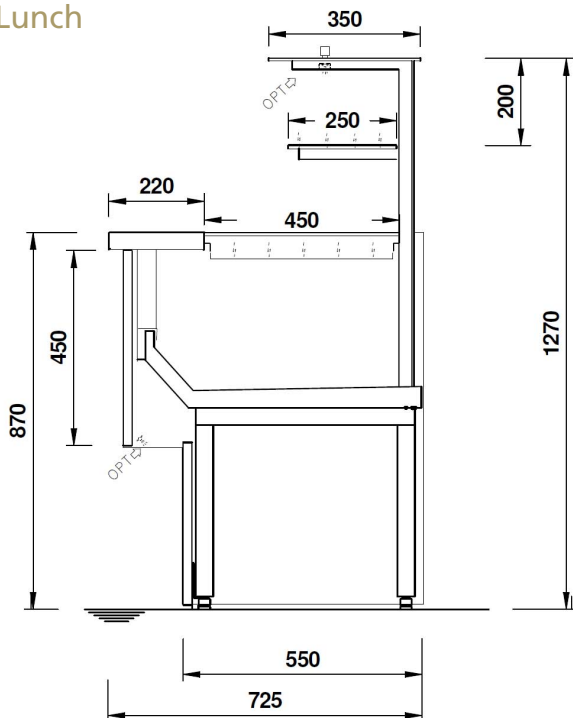
### Refrigerated



OPT = OPTIONAL

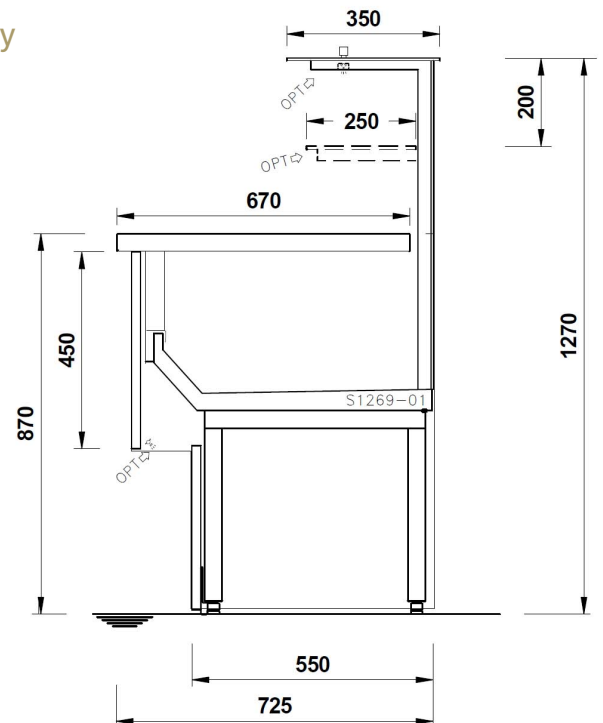
	CORNICE	CORNICE HOT	CORNICE DRY
Linear length	125		
	187		
	250		
SemiVertical		EOL (1395)	EOL (1395)

### Hot Lunch

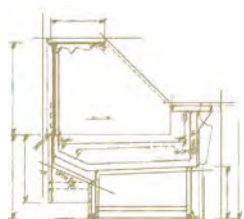


OPT = OPTIONAL

### Dry



OPT = OPTIONAL



Fully customized solutions: design flexibility of shapes & sizes.  
Our team is at complete disposal for evaluating any different solutions  
in order to fulfill all your needs. Please write at [sales@eurocryor.it](mailto:sales@eurocryor.it)